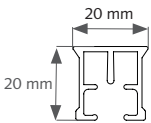
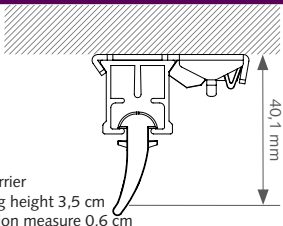
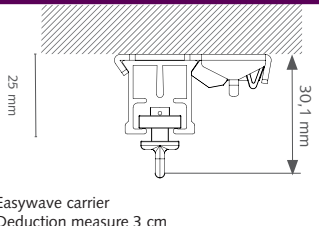
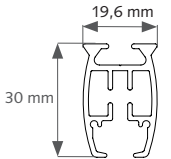
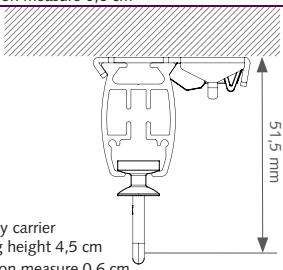
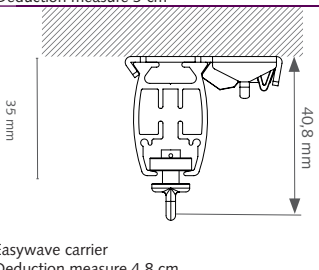
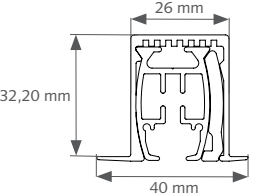
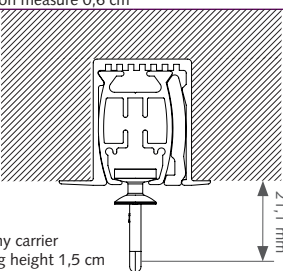
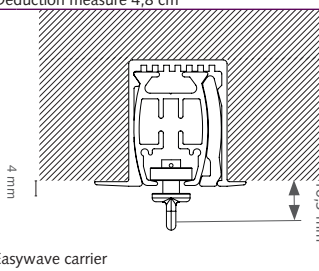
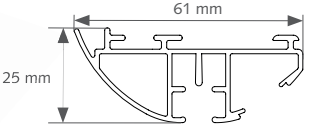
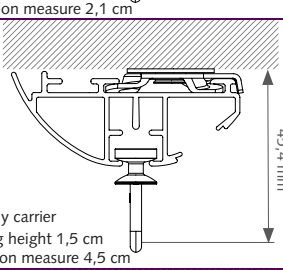
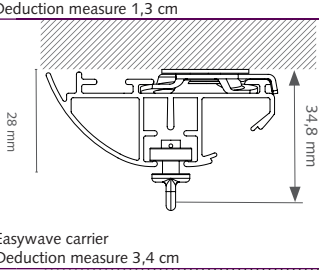
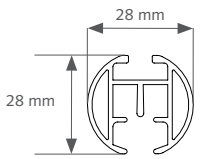
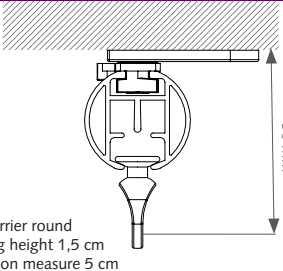
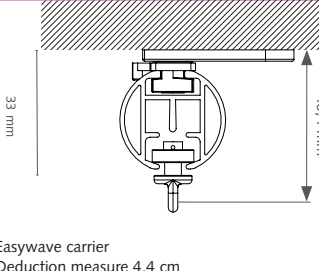




	PROFILE	PLEAT	WAVE
FOREST FMS®		 FMS carrier Heading height 3,5 cm Deduction measure 0,6 cm	 Easywave carrier Deduction measure 3 cm
FOREST FMS® PLUS		 Economy carrier Heading height 4,5 cm Deduction measure 0,6 cm	 Easywave carrier Deduction measure 4,8 cm
FOREST FMS® PLUS RECESS		 Economy carrier Heading height 1,5 cm Deduction measure 2,1 cm	 Easywave carrier Deduction measure 1,3 cm
FOREST DS-XL® LED		 Economy carrier Heading height 1,5 cm Deduction measure 4,5 cm	 Easywave carrier Deduction measure 3,4 cm
FOREST MRS®		 MRS carrier round Heading height 1,5 cm Deduction measure 5 cm	 Easywave carrier Deduction measure 4,4 cm

DETERMINE HEIGHT CURTAIN FABRIC (FOR SEWING WORKROOMS)

The heading height is the distance from the top of the curtain and the carrier eye. This ensures that the carriers and a part of track are hidden.

The deduction measure must be deducted from the height of the curtain (measured from the ceiling).

NOTE: The sizes as indicated above are from the top only. This overview is only intended for sewing workshops.

THE WORLD
BEHIND
YOUR
CURTAINS